

BRIZO®

KITCHEN FAUCETS

- Tulham® Collection
- Single Handle Pull-Down

FEATURES:

- MagneDock® Magnetic Docking
- SmartTouch® Technology with TempID - tap on/off functionality with temperature indicating LED light

STANDARD SPECIFICATIONS:

- Max flow rate 1.8 gpm @ 60 psi, 6.8 L/min @ 414 kPa
- One hole mount
- Euro-motion ceramic cartridge
- Spout rotates 360°
- Two-function wand; Aerated stream or spray
- Dual integral check valves in sprayer
- LED light indicates water temperature and signals when batteries run low.

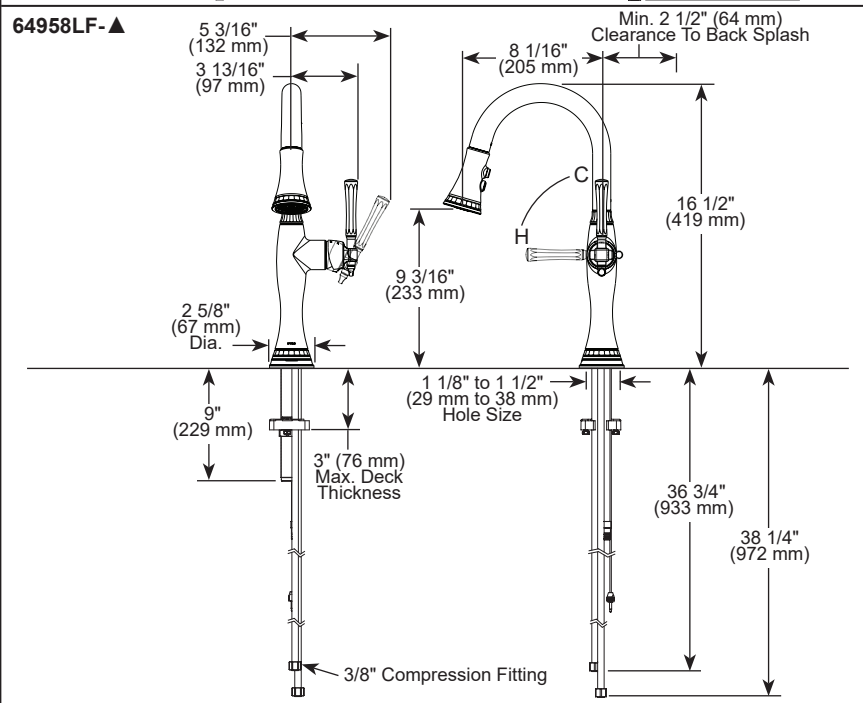
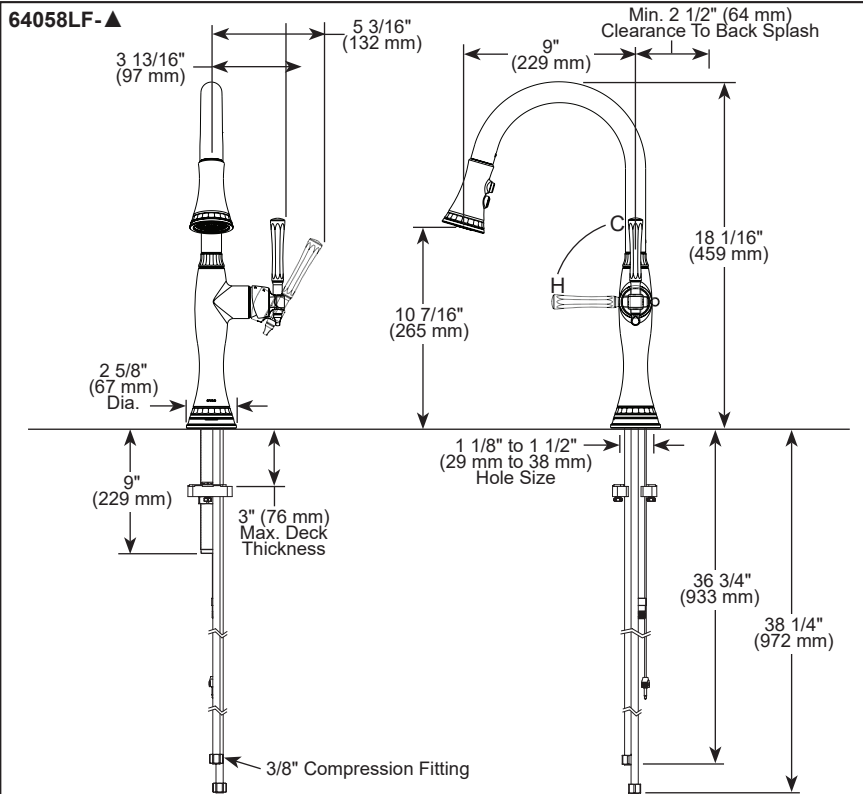
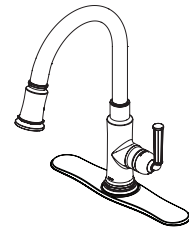
WARRANTY

- Parts and Finish – Lifetime limited warranty; or for commercial purchasers, 10 years for multi-family residential (apartments and condominiums) and 5 years for all other commercial uses, in each case from the date the product is received by the original purchaser or their authorized representative (installation contractor, etc.).
- Electronic Parts and Batteries (if applicable) – 5 years from the date that the product is received by the original purchaser or their authorized representative (installation contractor, etc.); or for commercial purchasers, 1 year from the date that the product is received by the original purchaser or their authorized representative (installation contractor, etc.). No warranty is provided on batteries.
- Please go to www.brizo.com for the complete details of our limited warranty.

COMPLIES WITH:

- ASME A112.18.1 / CSA B125.1
- NSF/ANSI/CAN 61 & 372
- ICC/ANSI A117.1 - Valve control only

RP101659▲
Models compatible with optional three-hole escutcheon (not included)



▲ Designate proper finish suffix

Brizo Kitchen & Bath Company reserves the right (1) to make changes in specifications and materials, and (2) to change or discontinue models, both without notice or obligation. Dimensions are for reference only. See current full-line price book or www.brizo.com for finish options and product availability.

BSP-K-64074LF Rev. B

Brizo Kitchen & Bath Company
55 E. 111th Street, Carmel, Indiana 46280
350 South Edgeware Road, St. Thomas, ON N5P 4L1
© 2026 Brizo Kitchen & Bath Company